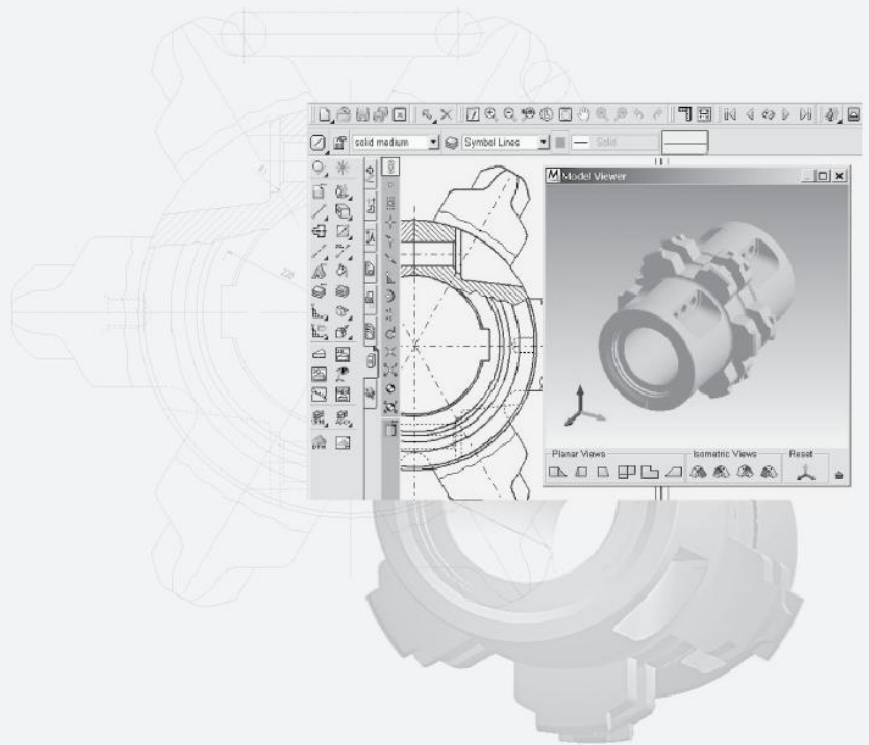


MEDUSA⁴

3D PLUS

3D Modelling



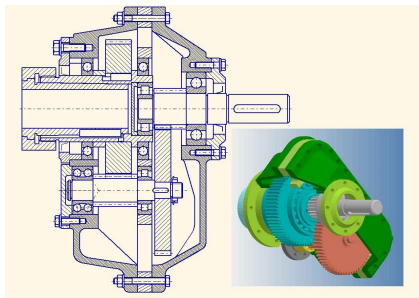
ADD-ON



MEDUSA4 3D PLUS™

Taking Your Existing Design Knowledge into a 3D World

Are you looking for a 2D to 3D approach to modelling? Would you like even your "hardcore" 2D designers to be able to define your products in a 3D environment? Then look no further, because now you can take your existing design knowledge into a 3D world.



Drawing of an assembly with corresponding 3D view

Product Overview

The power of the MEDUSA4 3D PLUS modelling tool lies in its simplicity and ease of use. Developed for designers who want to apply their existing 2D knowledge and way of working to a 3D world, the modeller offers an intuitive approach, known as "sheet-based modelling", for superior productivity.

MEDUSA4 3D PLUS uses standard MEDUSA4 2D tools to define 3D models, meaning you don't have to be a 3D expert to use it. Training times are minimised, and your company gains greater flexibility when deploying its resources. With MEDUSA4 3D PLUS anyone can create a model within a few minutes.

Integrated 3D Viewer

MEDUSA4 3D PLUS offers an integral viewer, which allows you to view your models and interact with them by zooming, panning and rotating them in a dynamic colour-shaded environment.

Complementing Your 3D Systems Strategy

MEDUSA4 3D PLUS complements your 3D strategy. It has been developed to augment – rather than compete with – your existing modeller, allowing your design teams greater flexibility and quicker results. Use MEDUSA4 3D PLUS to quickly model simple to mid-range geometry. Where required, you can easily export your models for use in other 3D systems.

The Backbone for Factory Layout and Plant Design

MEDUSA4 3D PLUS is key to the capabilities of the MEDUSA4 Factory Layout and Plant Design System, MPDS4. After creating layouts in 2D, MEDUSA4 3D PLUS transforms 2D designs into 3D models, allowing you to quickly build and analyse large assemblies.

MPDS4 REVIEW Tool

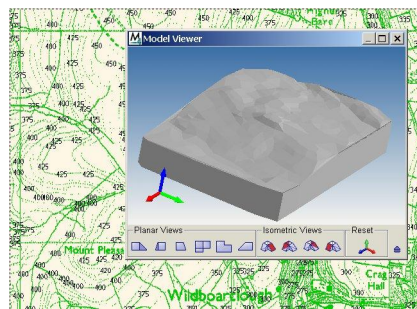
The optional MPDS4 REVIEW tool provides an easy way to share models and communicate with customers and suppliers. It allows users to easily interact with your MEDUSA4 3D or MPDS4 models, conducting plant and scenery walk-throughs or inspecting designs in detail. Models are delivered in a very compact format for fast viewing, and can be e-mailed to clients for daily design reviews or taken on-site by Project Managers.

Interfaces

Use one of the optional 3D interfaces with MEDUSA4 3D PLUS for easy data exchange with clients or suppliers. These include 3D DXF, STEP, IGES, STL, VRML and VDA-FS.

Software Prerequisites

- MEDUSA4 ADVANCED™



The powerful Digital Terrain Modeller in action

Digital Terrain Modeller

MEDUSA4 3D PLUS is available with an optional Digital Terrain Modeller, a powerful tool for architectural and civil engineering applications, which automatically generates terrain models based on spot heights, and is used throughout the world to model landscape features, such as river beds or uneven surfaces in buildings.



CAD Schroer GmbH (HQ Germany)
Fritz-Peters-Str. 26-30
47447 Moers
Tel. +49 (0)2841 9184-0
www.cad-schroer.de

CAD Schroer UK Ltd
Godwin House, Castle Park
Cambridge CB3 0RA
Tel. +44 (0)12234 460 408
www.cad-schroer.co.uk

CAD Schroer US, Inc.
34 Rand Place,
Pittsford, NY 14534
Tel. +1 866-SCHROER
www.cad-schroer.com

Technical modifications reserved. © CAD Schroer GmbH
All rights reserved. All brands or product names are trademarks
or registered trademarks of their respective owners. 11/2011