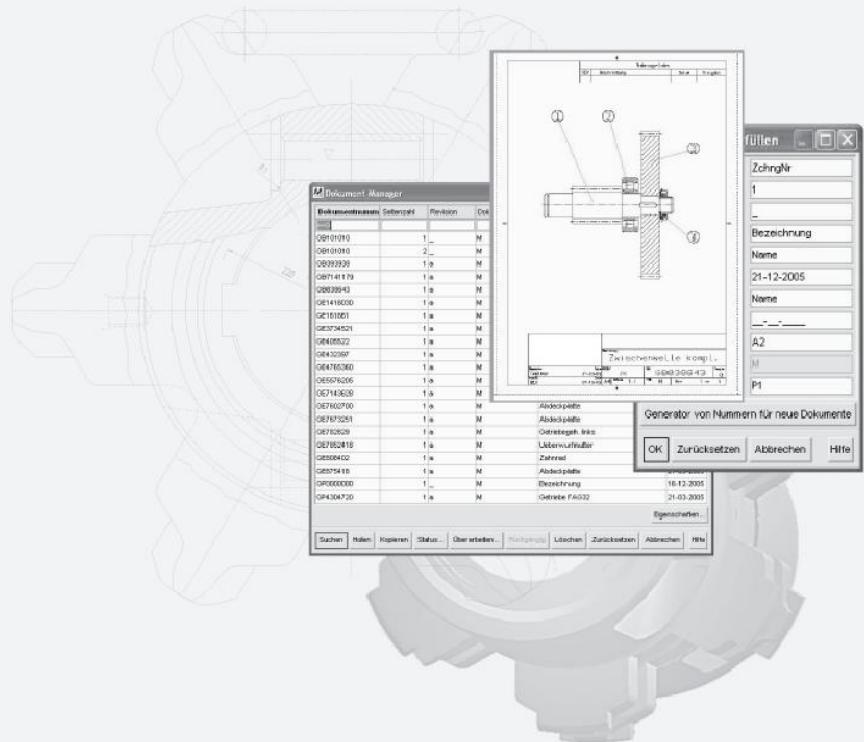


# MEDUSA<sup>4</sup>

MEDINFO

## Data Management



ADD-ON



The MEDUSA4 Information System (MEDInfo) is a secure information and document management system integrated with MEDUSA4. Its Web-based approach makes it ideal for today's flexible and highly distributed working processes.

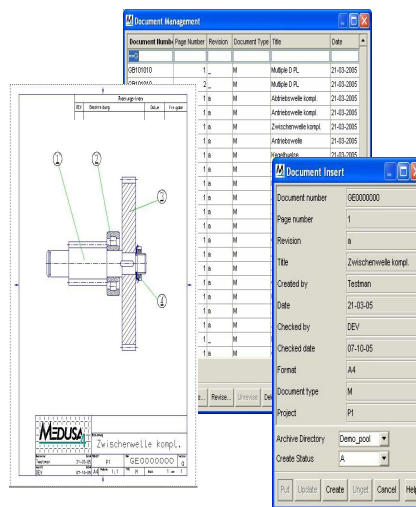
### Product Overview

MEDInfo delivers functionality for the administration and update of documents through all phases of the product development and design cycle. In addition to the intelligent management of MEDUSA4 drawings, MEDInfo can manage your other documents, including Adobe® PDF, Microsoft® Office, or even simple ASCII text files. It also allows you to manage and track paper-based ("virtual") documents, and stores non-graphical design data, such as part numbers, for easy retrieval.

**Web-based for Global Working**  
MEDInfo uses a Web-based architecture for the distribution of documents, facilitating the flexible deployment of the product across a geographically distributed network of users. Its document management functionality is available through the use of a Web browser, and can easily be customised with your corporate look and feel. There is no need for users to install additional software. This simplifies the administration and maintenance of client workstations.

**Flexibility and Easy Re-use of Data**  
MEDInfo provides a secure document management environment for electronically generated and paper-based documents. On top of traditional administration tasks, MEDInfo can also use MEDUSA4 data (components, assemblies, drawings etc.) for the management of parts lists or Bills of Materials (BOM), and allows designers to search and retrieve components from different drawings for use in their current design.

**The Key to Quality Assurance**  
The effective management and process control offered by MEDInfo is vital when seeking compliance with Total Quality Management (TQM). In addition to document versioning and administration, MEDInfo supports more complex document verification and release procedures, and can be customised to meet specific client demands.



User-friendly facilities for displaying, editing and searching for archived documents

**User and Access Controls**  
MEDInfo uses the powerful MEDUSA Database (MDB), with all database operations available from the MEDUSA4 user interface. Administrators can define permissions and access rights to meet the needs of their organisation's specific processes, so that logged-in users can only access those MEDInfo functions specific to their role. Document locking prevents several users from changing the same document simultaneously, while document controls prevent unauthorized viewing or editing.

**Parts Lists and Cost Calculation**  
Because MEDInfo also stores data such as part numbers and quantities, it supports the quick and effective generation of parts lists, which are often used for cost calculations when ordering materials and maintaining inventory levels.

### MEDInfo Modules

MEDInfo consists of one basic and two sub-modules. The basic module covers general document management, drawing administration and archiving. The sub-modules handle parts lists, and drawing classification. Both sub-modules are available in MEDUSA4, or as a standalone, non-graphical version. All information is stored in MDB for quick and easy retrieval.

### External Database Connectivity

MEDInfo can be used within your existing database architecture and can be customised to exchange data with other corporate SQL databases. Please get in touch with CAD Schroer's consultants for more information.

### Software Requirements

- MEDUSA4 from v1.0

### Platforms Supported

- Windows® XP Professional (SP 2 and 3), Vista Business (SP 1 and 2) and 7 Professional
- Sun® SPARC Solaris 9 and 10 with CDE