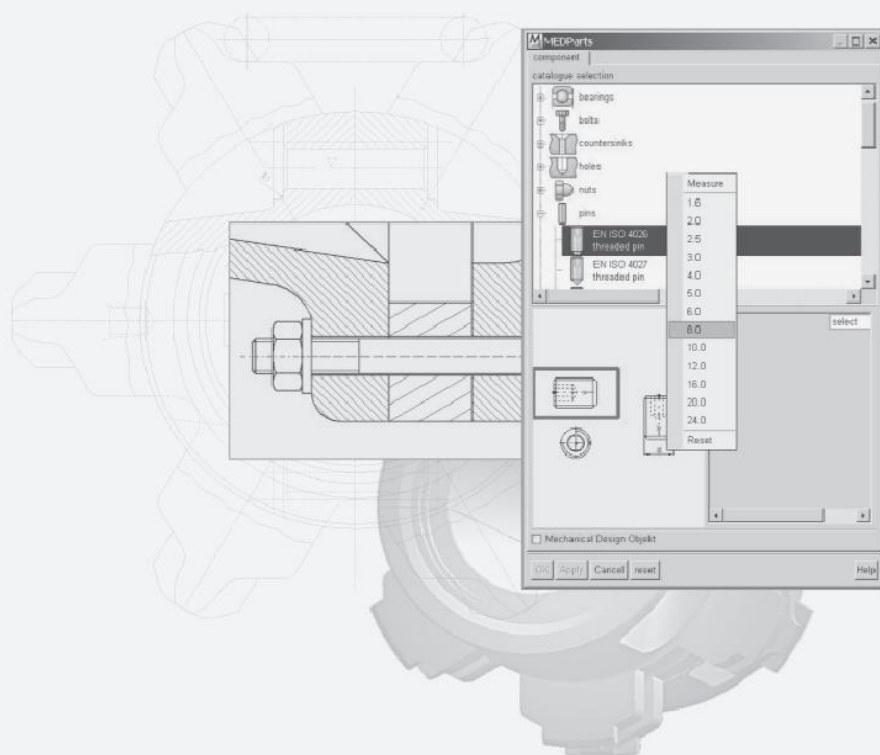


MEDUSA⁴

MEDPARTS

Standard CAD Parts Library



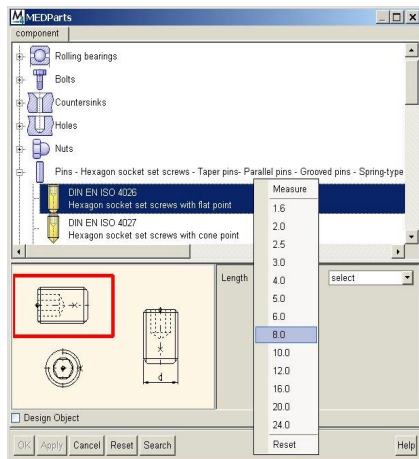
ADD-ON



MEDParts™

Integrated MEDUSA4® CAD Parts Library

MEDParts, the industry-proven integrated standard CAD parts library for MEDUSA4, offers an extensive range of symbols for the mechanical engineering, pipeline construction and steel-framed building construction industries.



Menu-driven size selection

Parts Selection

No more time wasted drawing or modifying screws, bolts or fittings – simply use the intuitive user interface to select the desired part or symbol, displayed in a preview window prior to loading.

Select your part measurements from the menus provided, or find the right part based on measurements in the design itself (where no standard part exists, the system will suggest the closest fit). In order to save time and ensure accuracy, MEDParts dynamically adjusts its choice options to reflect the selections you have already made.

Hidden Line Removal

When you load a symbol into your design, you have the choice of removing any hidden lines, or changing the line type to show hidden detail.

All MEDParts symbols are treated as Design Objects, allowing them to be directly integrated into in-sheet assemblies.

Integration into Sheet Structure
MEDParts symbols can easily be integrated into an existing MEDUSA4 Group. Groups are a powerful feature used to structure geometry so that it can be edited as a single entity, without affecting your ability to manipulate individual elements.

Standard Descriptions

MEDParts come with their own text attribute containing the complete standard description, which can also be used for the automatic creation of parts lists.

Search and Replace

Use MEDParts' search and replace functionality to quickly identify and replace parts on your sheet.

Automatic Update Service

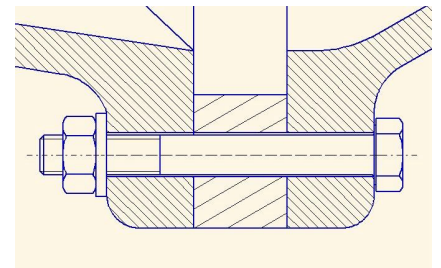
For an additional charge, you can subscribe to an automatic update service for MEDParts. CAD Schroer works in close collaboration with DIN Software GmbH in order to constantly bring you new and updated standards information.

Packages Available

A package of 50 MEDParts is included with every MEDUSA4 ADVANCED™ license. MEDParts is also available in packages of 100, 125, 150, 200 or 250 DIN/EN/ISO standards (*the package of 50 standards contains around 35,000 – and the package of 150 standards over 100,000 - CAD part symbols*).

MEDParts Flex allows customers to choose which standards to include, and comes in packages of 75, 100, 125 or 150 standards, including, but not limited to, the following:

- form elements
- fixings and fasteners
- steel profiles
- ball and roller bearings
- piping parts
- holes and drillings
- fuse members
- hydraulic/pneumatic diagram symbols
- safety features, e.g. locking rings, pins, eyebolts (in packages of 100/125 parts)
- shaft to collar connections, e.g. keys and keyways (in the package of 125 parts)



Optional filleting of all, or selected, edges

System Requirements

- MEDUSA4 DRAFTING PLUS™ or MEDUSA4 ADVANCED™ Rev. 2.0 and up

Platforms Supported

- Windows® XP Professional (SP 2 and 3), Vista Business (SP 1 and 2) and 7 Professional
- Sun® SPARC Solaris 9 and 10 with CDE
- Linux® Red Hat Enterprise Linux Version 5 WS



CAD Schroer GmbH (HQ Germany)
Fritz-Peters-Str. 26-30
47447 Moers
Tel. +49 (0)2841 9184-0
www.cad-schroer.de

CAD Schroer UK Ltd
39 Newnham Road
Cambridge CB3 9EY
Tel. +44 (0)12234 460 408
www.cad-schroer.co.uk

CAD Schroer US, Inc.
34 Rand Place,
Pittsford, NY 14534
Tel. +1 866-SCHROER
www.cad-schroer.com

Technical modifications reserved. © CAD Schroer GmbH.
All rights reserved. All brands or product names are trademarks
or registered trademarks of their respective owners. 07/2010