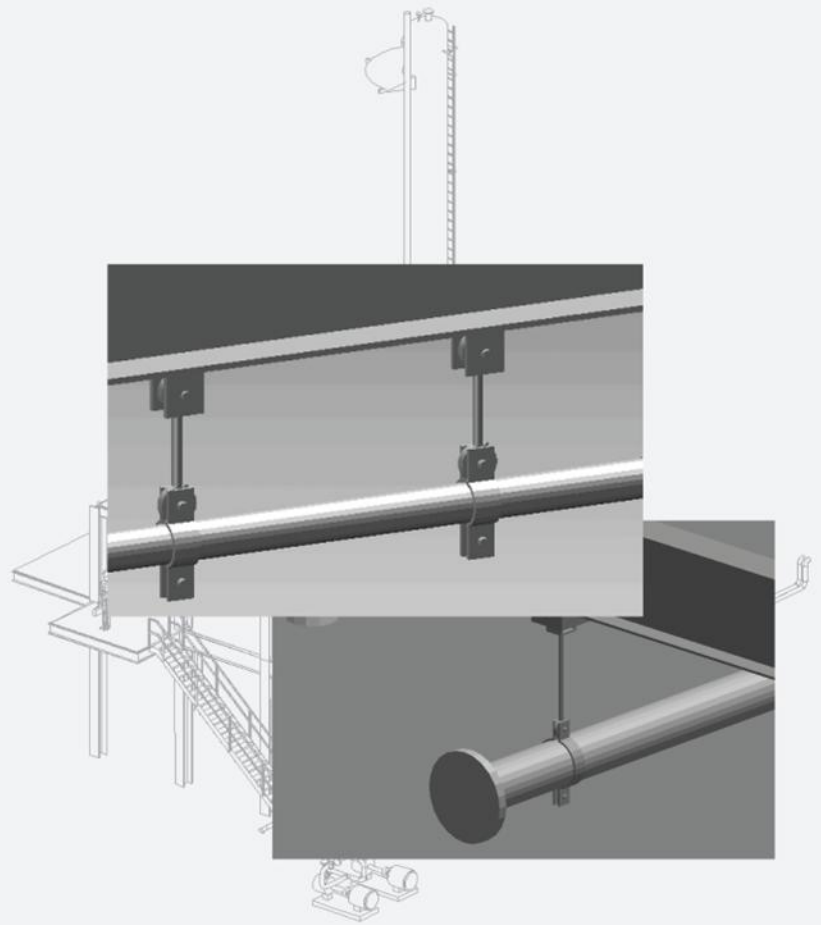


MPDS₄

HANGERS & SUPPORTS DESIGN

Industrial Supports Solution



ADD-ON



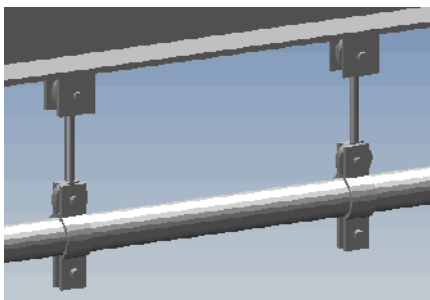
www.cad-schroer.com

MPDS4 HANGERS AND SUPPORTS DESIGN™

The Professional Industrial Supports Solution

MPDS4 HANGERS AND SUPPORTS DESIGN is an add-on module providing a complete professional solution for accurately modelling industrial hangers and supports between pipe and steelwork in your installation. The module offers a large number of extensible libraries of catalog components to a variety of industrial standards.

Creating and Editing Components
MPDS4 HANGERS AND SUPPORTS DESIGN offers powerful routing tools for loading, positioning and replacing hangers and support components, either manually or automatically.

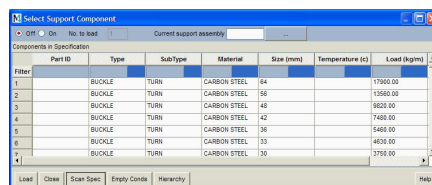


Quickly add industrial hangers and supports between pipe and steelwork

Catalog-Based Design

The catalog component libraries provided with MPDS4 HANGERS AND SUPPORTS DESIGN help you cut down on errors, allowing you to quickly and consistently design complete support systems based on company-specific standards.

The catalogs contain many different types of pipe clips, hangers, sliders, and other supporting components. They are user extensible and customisable, with a central database ensuring consistent delivery of up-to-date catalog data to your design teams.



Filter	Part ID	Type	SubType	Material	Size (mm)	Temperature (C)	Load (kg/m)
1		BUCKLE	TURN	CARBON STEEL	64		17600.00
2		BUCKLE	TURN	CARBON STEEL	56		13660.00
3		BUCKLE	TURN	CARBON STEEL	48		8920.00
4		BUCKLE	TURN	CARBON STEEL	42		7480.00
5		BUCKLE	TURN	CARBON STEEL	36		5460.00
6		BUCKLE	TURN	CARBON STEEL	33		4630.00
7		BUCKLE	TURN	CARBON STEEL	30		3790.00

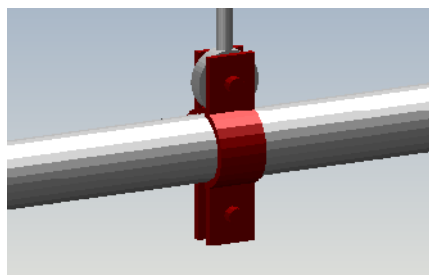
Easily select hanger and support components from the extensive parts libraries provided

Piping Isometrics

ISOGEN™ piping isometrics (from ALIAS Piping Solutions) are tightly integrated with MPDS4 PIPING DESIGN. Any isometrics produced will also automatically reflect the positions of components designed with the MPDS4 HANGERS AND SUPPORTS DESIGN module.

Consistency Checking

MPDS4 HANGERS AND SUPPORTS DESIGN allows you to check entire systems or selected sections for design consistency. Selected components will be tested for such things as compatibility of connections. A dialog then presents the test results, listing the affected components and providing error descriptions. Users can click on a listing to automatically highlight the relevant component in their 3D design. Consistency checking results can also be exported to a customisable report.



Users can select any error listed in the Hangers and Supports Consistency Check dialog to highlight the affected component directly in their 3D layout.

Hard and Soft Interference Checking

Interference checking functionality provides users with a quick overview of overlapping components. Hard interference checking flags up overlaps between selected areas and components, while soft interference checking flags up insufficient space between individual components.

Automatic Parts List Creation and ERP System Integration

Automatically created parts lists can be exported (to CSV, for example) to gain a quick overview of an entire project. The software can be integrated with your ERP system, allowing additional information, such as component cost or weight, to be displayed, and linking plant design with other corporate processes, such as project costing and procurement.

Software Requirements

- MEDUSA4 ADVANCED
- MPDS4 ASSEMBLY MANAGER
- MPDS4 PIPING DESIGN
- MPDS4 STEEL DESIGN



CAD Schroer GmbH (HQ Germany)
Fritz-Peters-Str. 26-30
47447 Moers
Tel. +49 (0)2841 9184-0
www.cad-schroer.de

CAD Schroer UK Ltd
Godwin House, Castle Park
Cambridge CB3 0RA
Tel. +44 (0)12234 460 408
www.cad-schroer.co.uk

CAD Schroer US, Inc.
34 Rand Place,
Pittsford, NY 14534
Tel. +1 866-SCHROER
www.cad-schroer.com

Technical modifications reserved. © CAD Schroer GmbH 2011.
All rights reserved. All brands or product names are trademarks
or registered trademarks of their respective owners. 10/2011